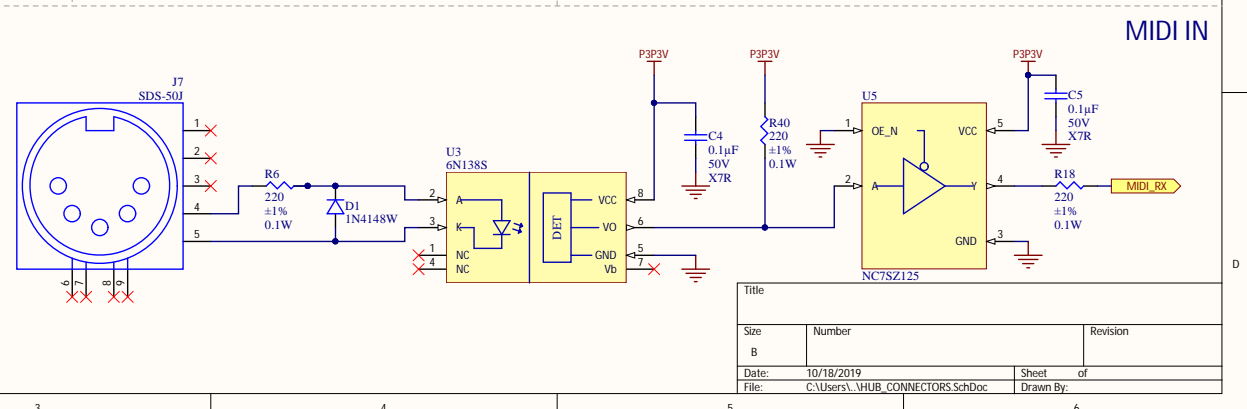
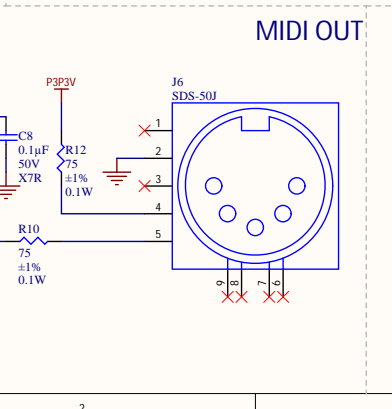
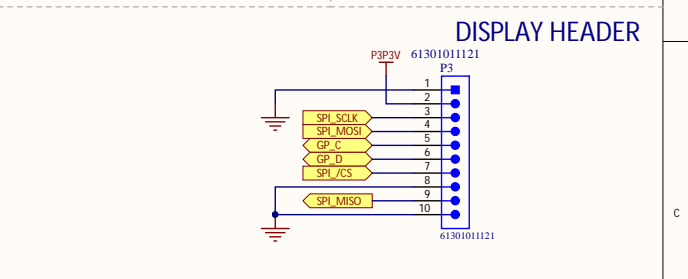
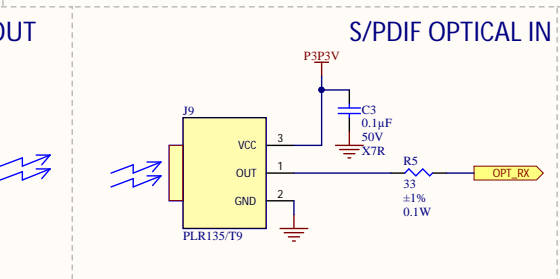
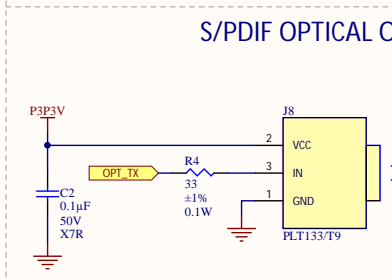
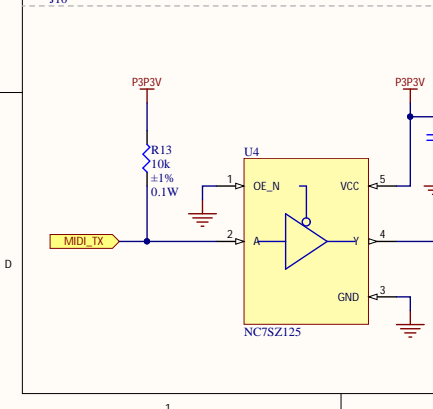
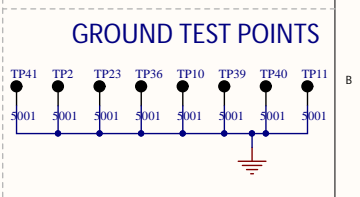
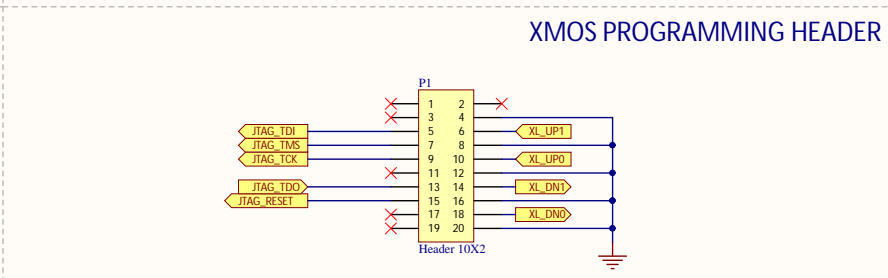
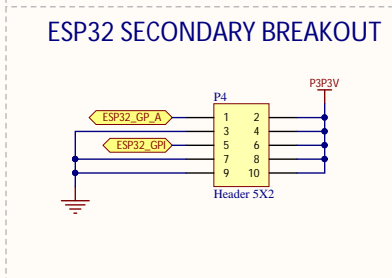
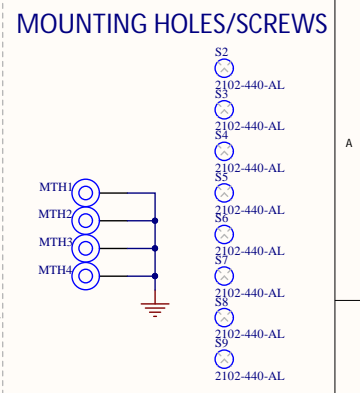
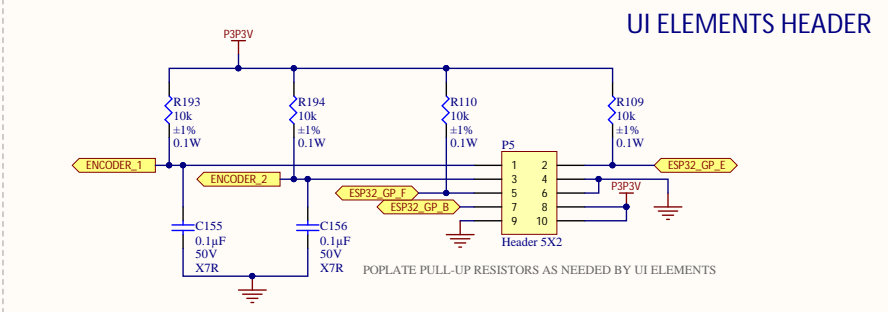
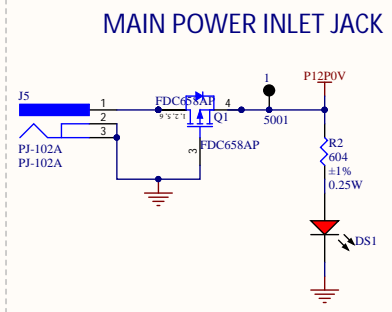
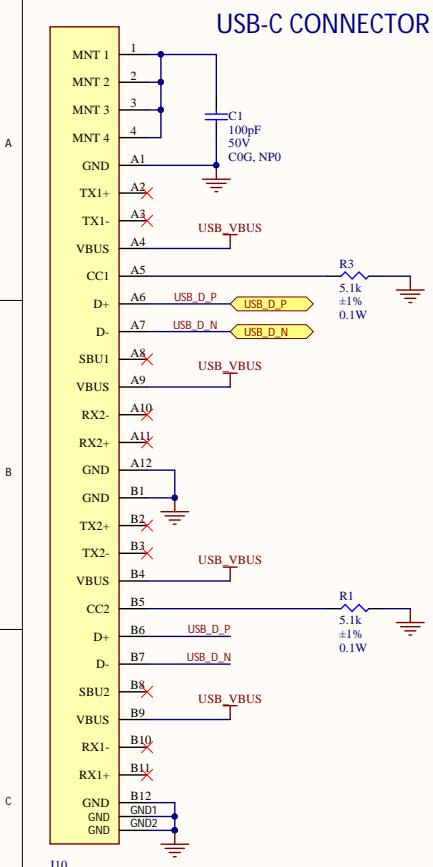
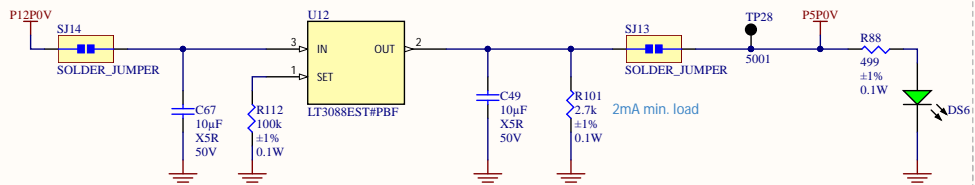


Title		
Size	Number	Revision
B		
Date:	10/18/2019	Sheet of
File:	C:\Users\... \HUB_TOPLEVEL.SchDoc	Drawn By:

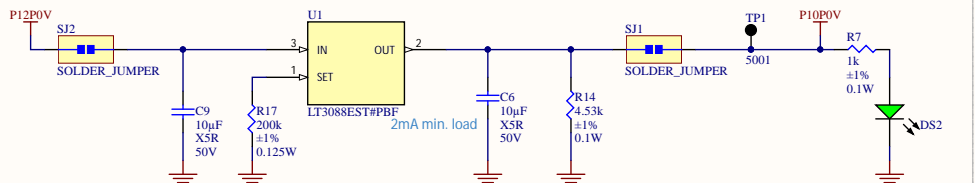


Title		
Size	Number	Revision
B		
Date:	10/18/2019	Sheet of
File:	C:\Users\... \VHUB_CONNECTORS.SchDoc	Drawn By:

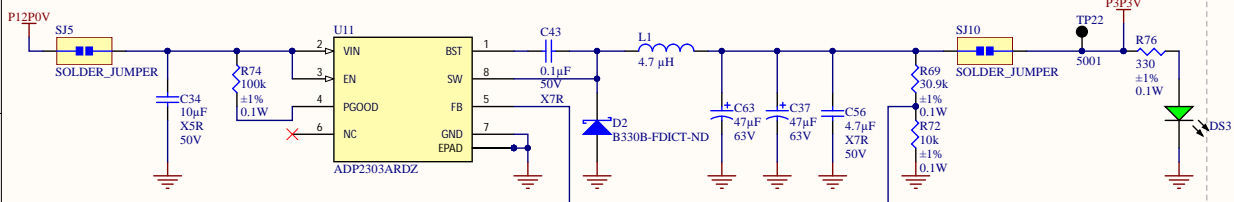
BARREL JACK -> P5POV REGULATOR



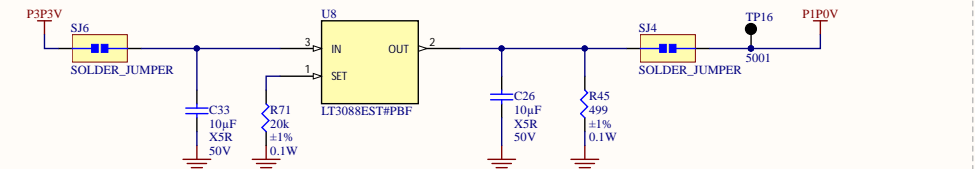
BARREL JACK -> P10POV REGULATOR



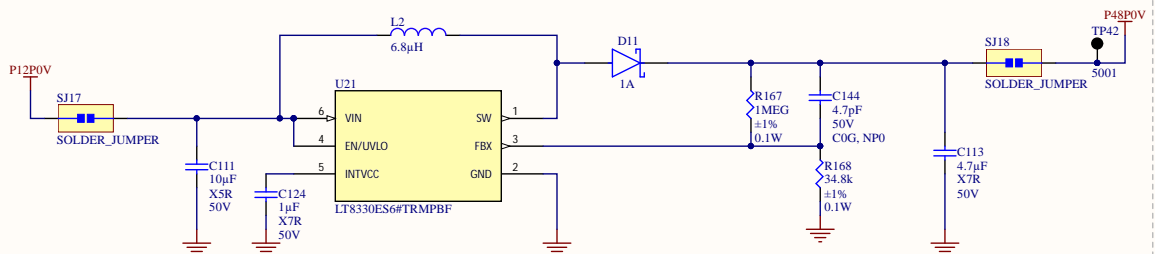
BARREL JACK -> P3P3V CONVERTER



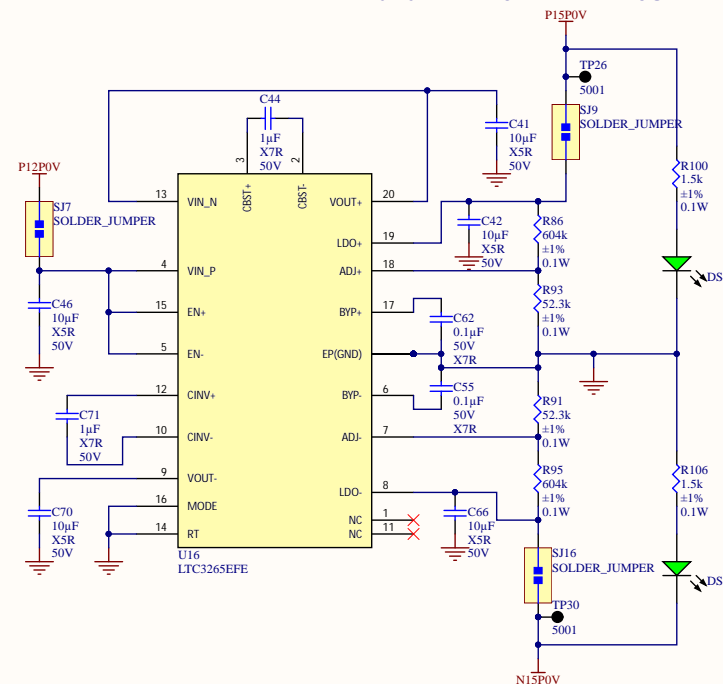
P3P3V -> P1POV REGULATOR



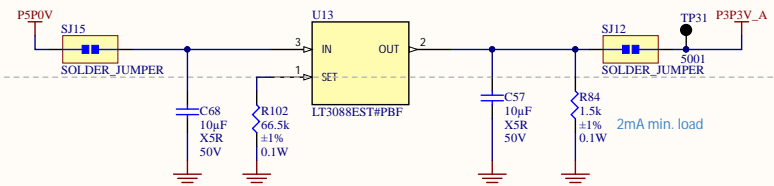
BARREL JACK -> 48V CONVERTER



BARREL JACK -> +15V PREAMP SUPPLY

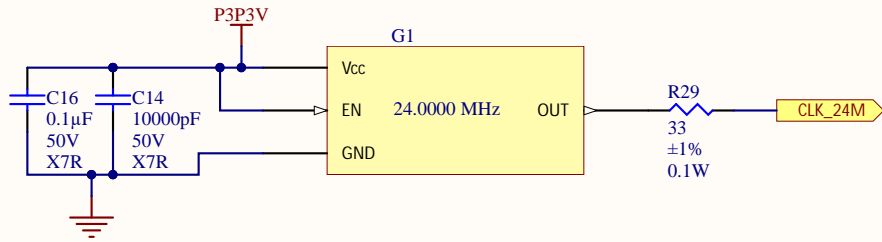


5V -> 3.3V (ANALOG) REGULATOR

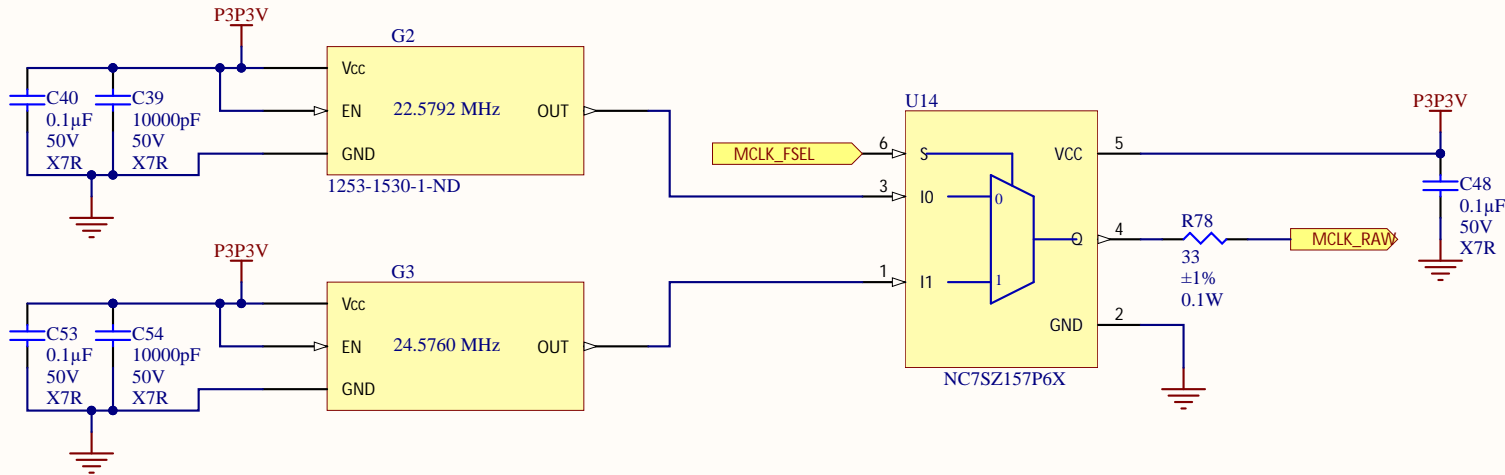


Title		
Size	Number	Revision
B		
Date:	10/18/2019	Sheet of
File:	C:\Users\... \HUB_POWER.SchDoc	Drawn By:

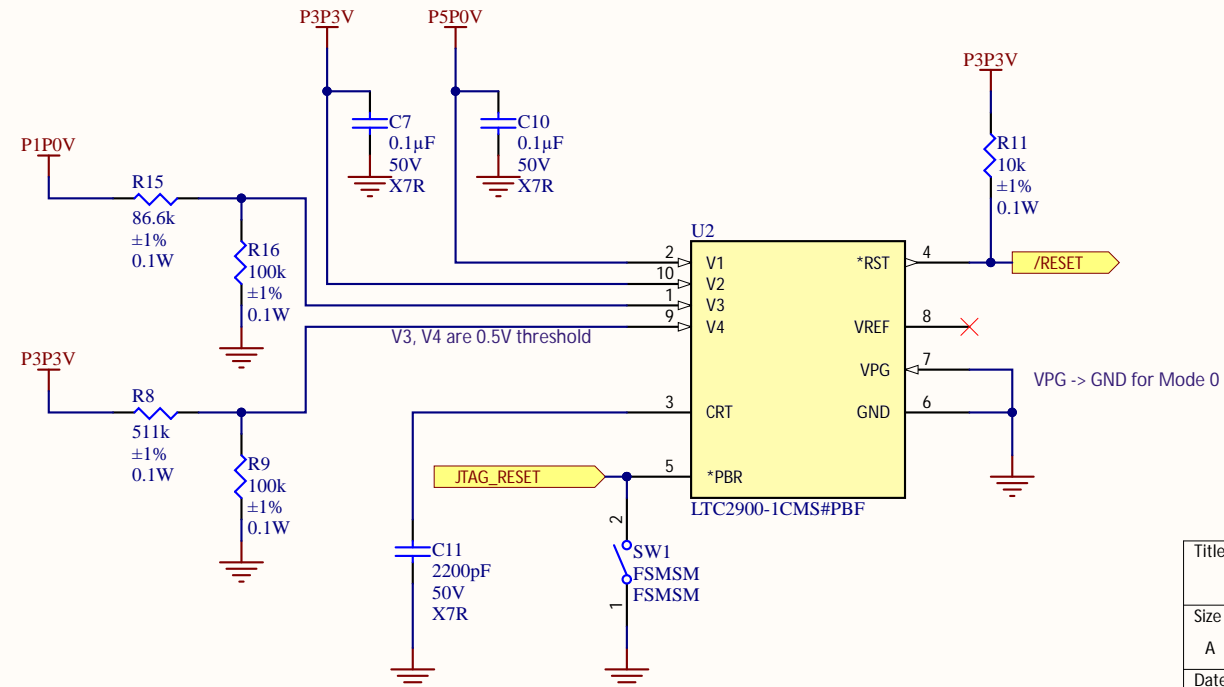
PRIMARY XMOS CLOCK



AUDIO CLOCKS



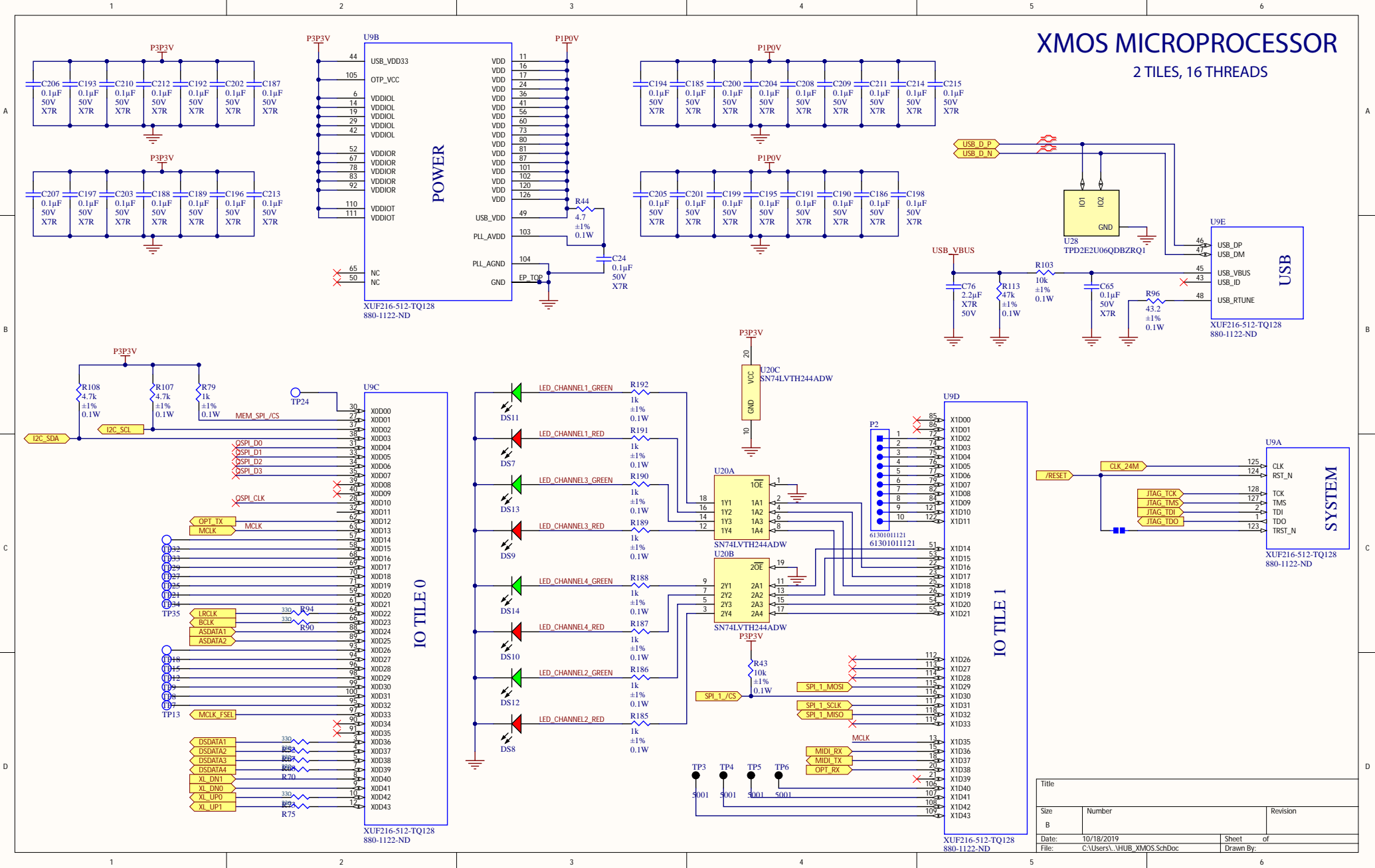
RESET GENERATOR



Title		
Size	Number	Revision
A		
Date:	10/18/2019	Sheet of
File:	C:\Users\...\HUB_MISC.SchDoc	Drawn By:

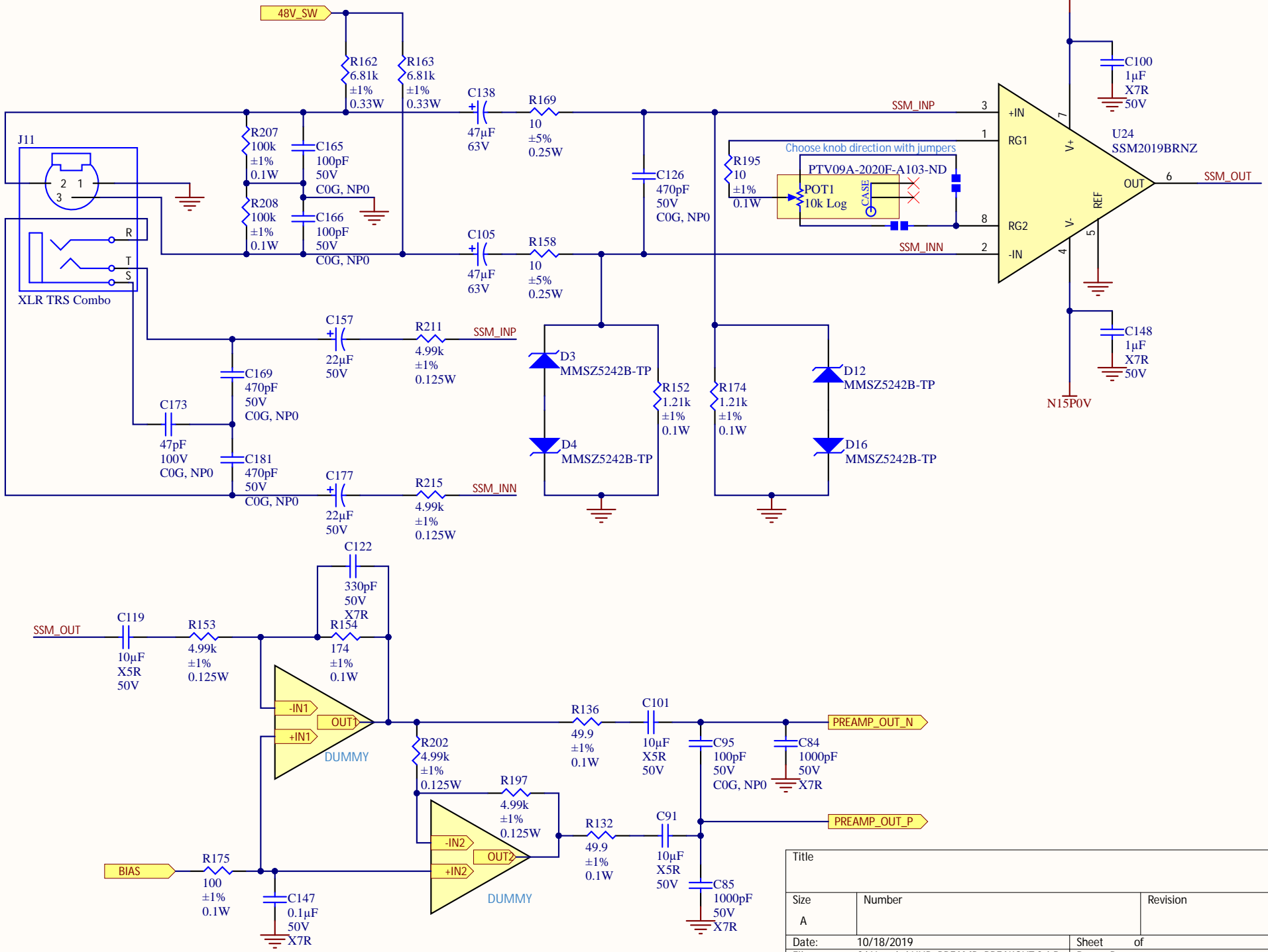
XMOS MICROPROCESSOR

2 TILES, 16 THREADS



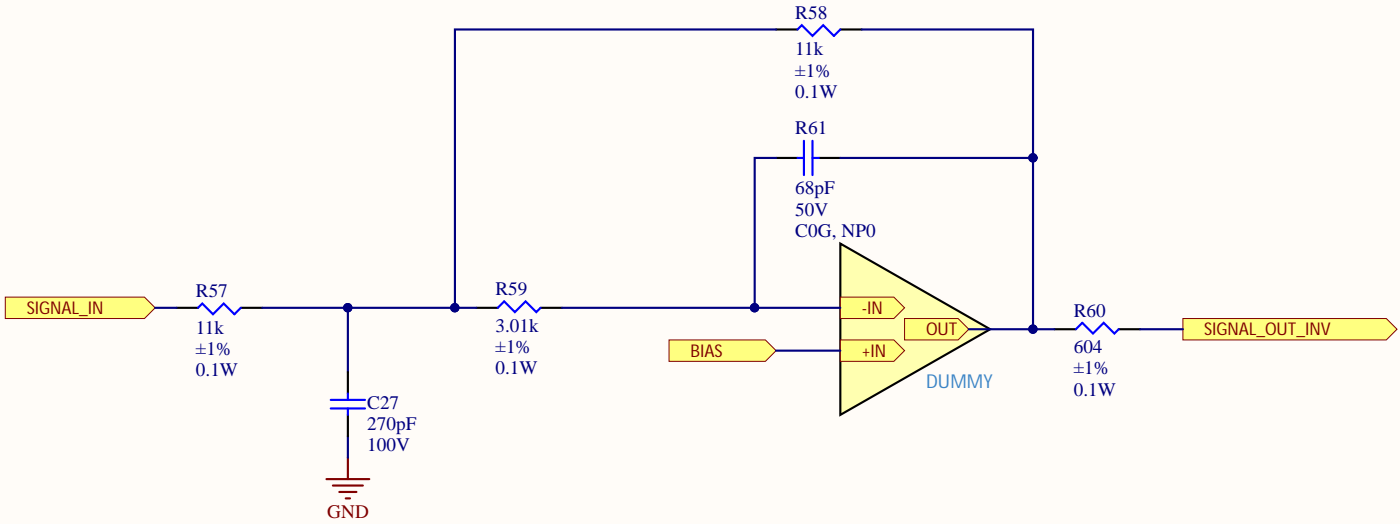
Title		
Size	Number	Revision
B		
Date:	10/18/2019	Sheet of
File:	C:\Users\...\.XHUB_XMOS_SchDoc	Drawn By:

MICROPHONE PREAMPLIFIER/ADC DRIVER



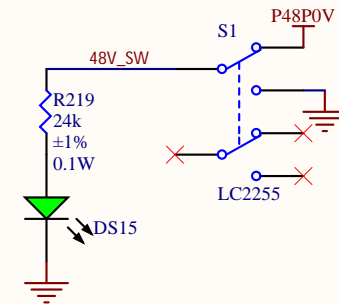
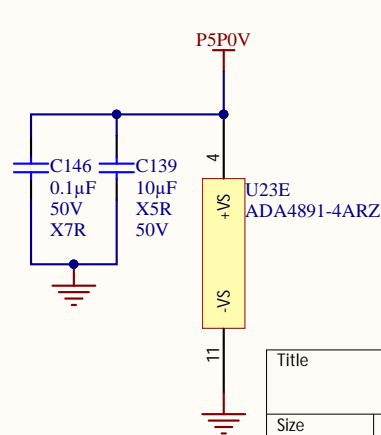
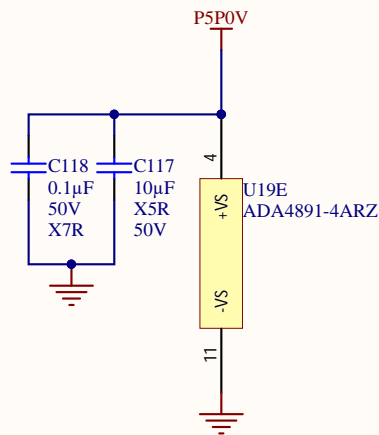
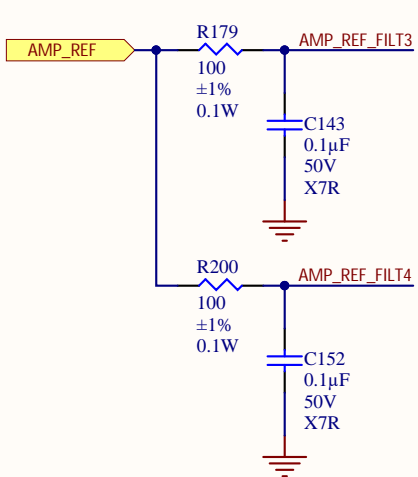
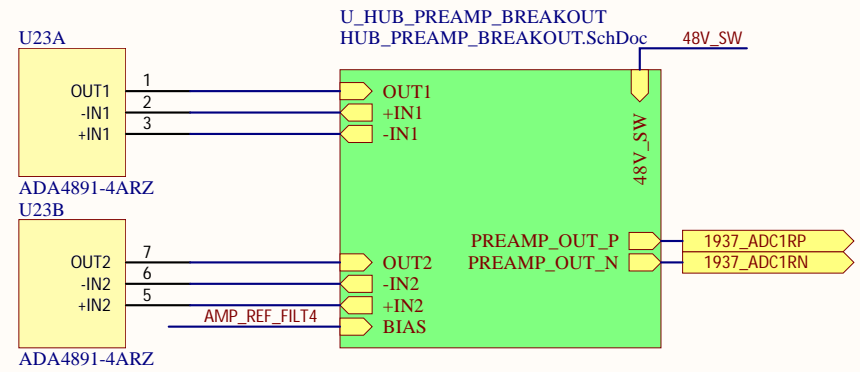
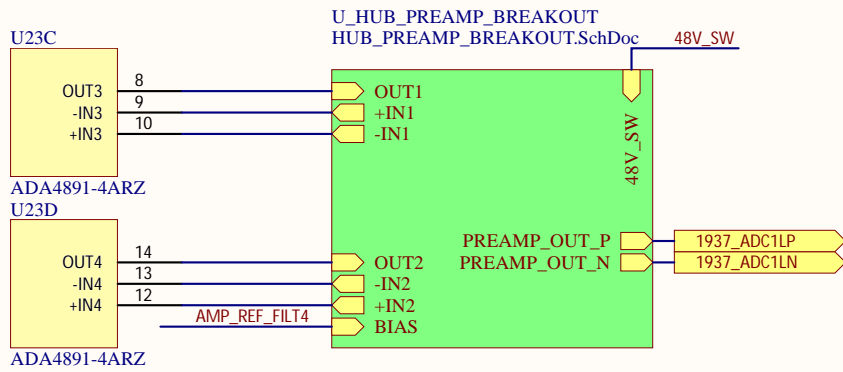
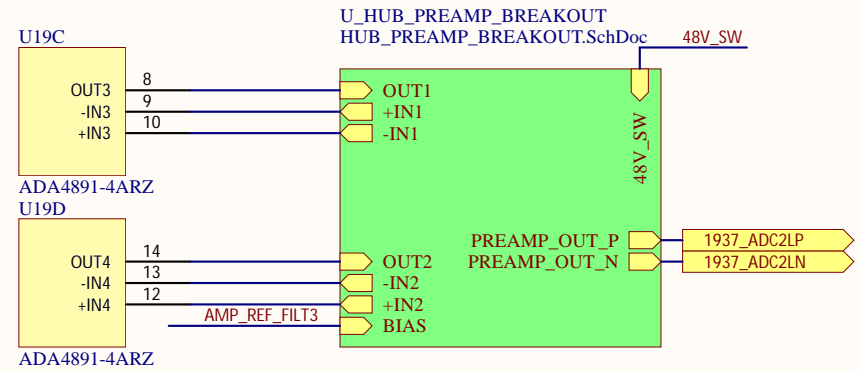
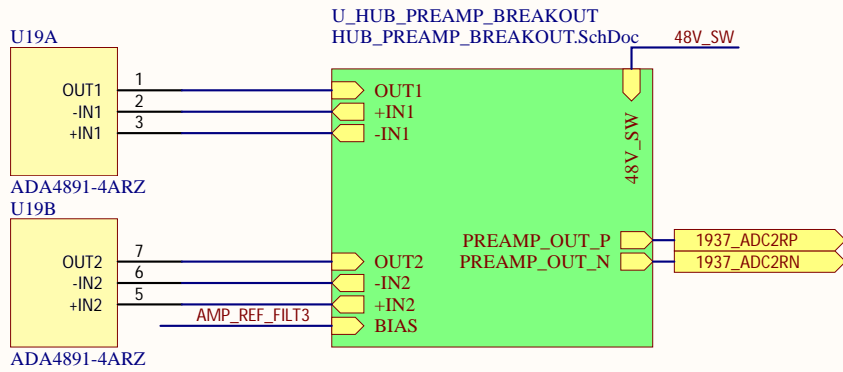
Title		
Size	Number	Revision
A		
Date:	10/18/2019	Sheet of
File:	C:\Users\...\HUB_PREAMP_BREAKOUT.SchDoc	Drawn By:

ANTI_ALIASING FILTER



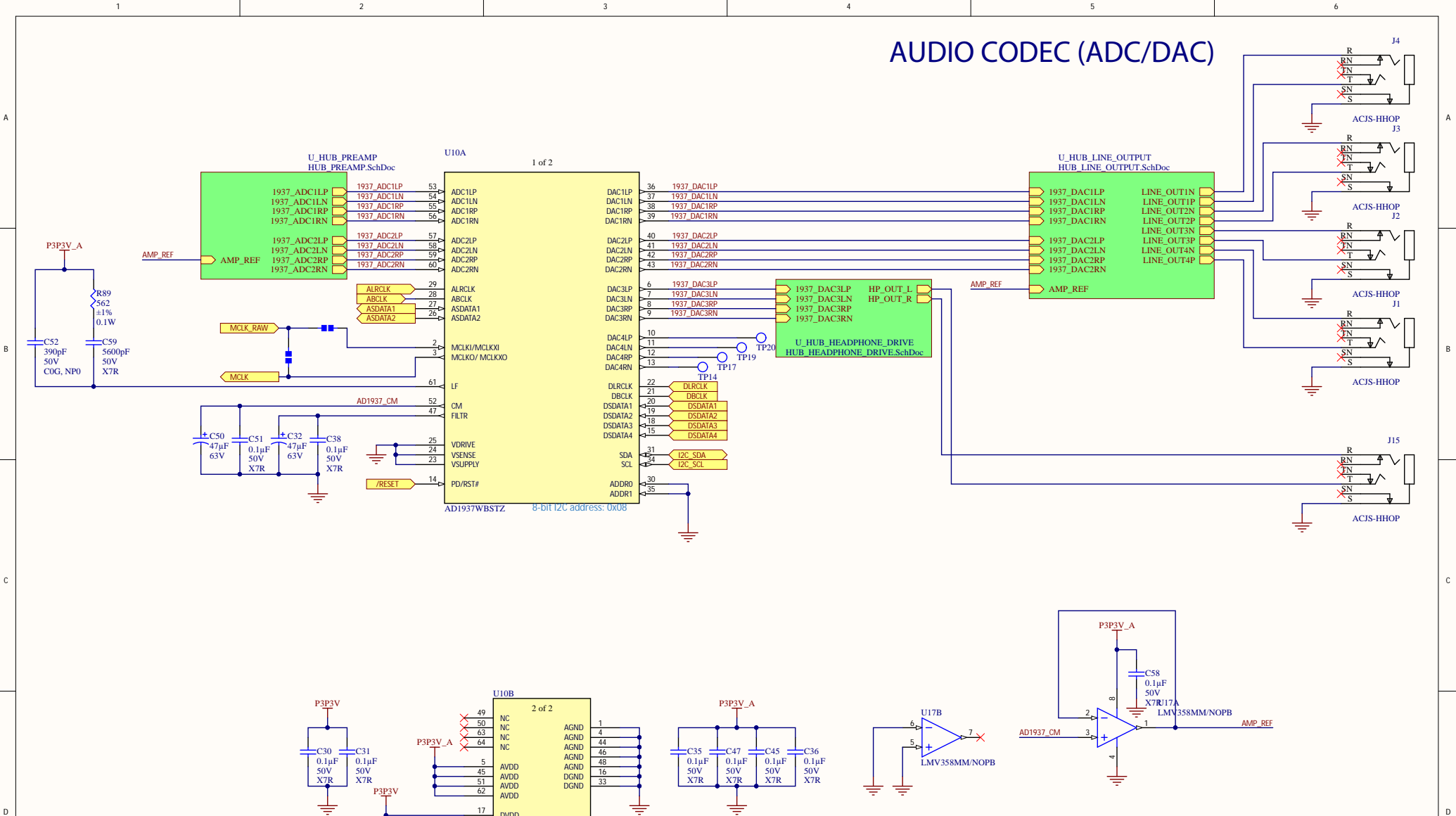
Title		
Size	Number	Revision
A		
Date:	10/18/2019	Sheet of
File:	C:\Users\...\HUB_LINE_OUTPUT_PASSIVE.SchDoc	Drawn By:

PREAMP MIDLEVEL CONNECTIONS



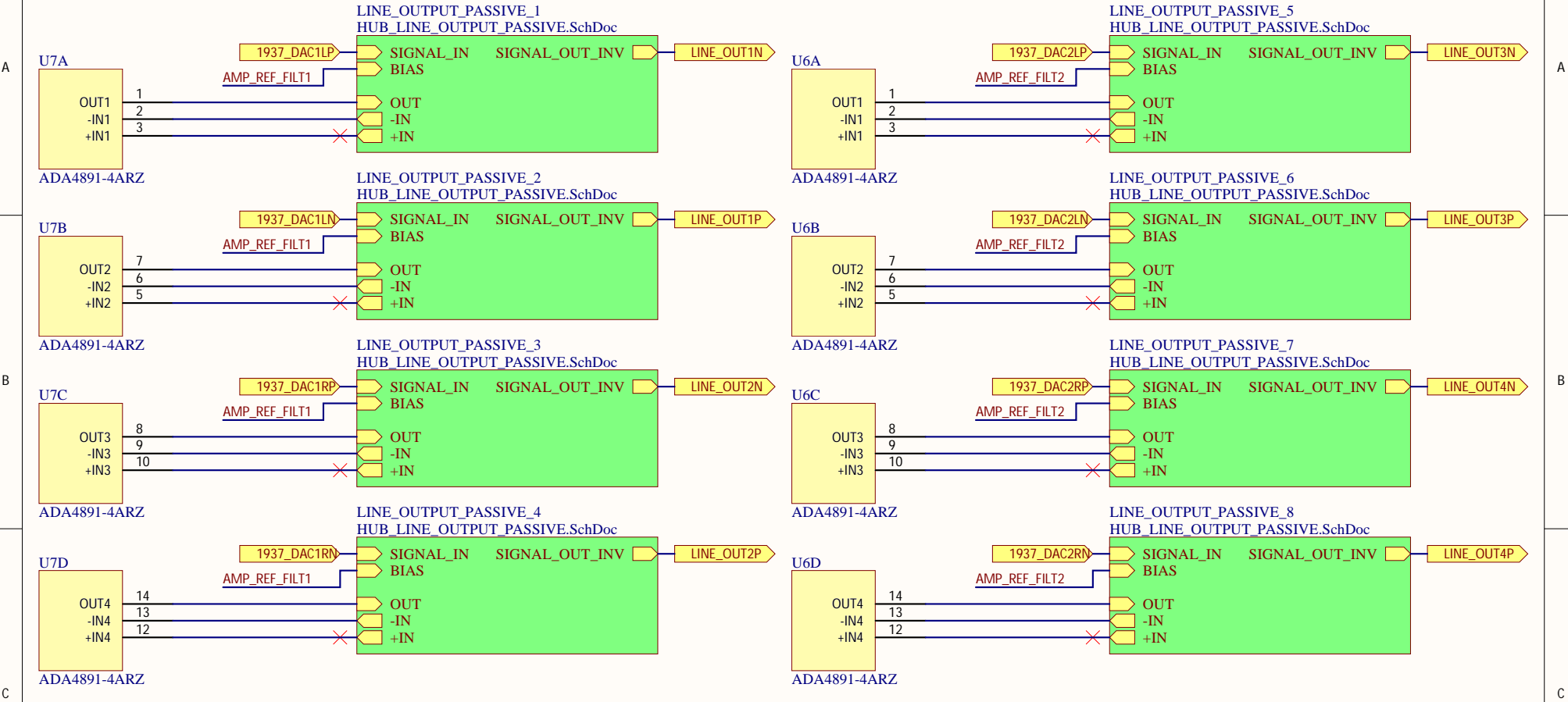
Title		
Size	Number	Revision
A		
Date:	10/18/2019	Sheet of
File:	C:\Users\...\HUB_PREAMP.SchDoc	Drawn By:

AUDIO CODEC (ADC/DAC)

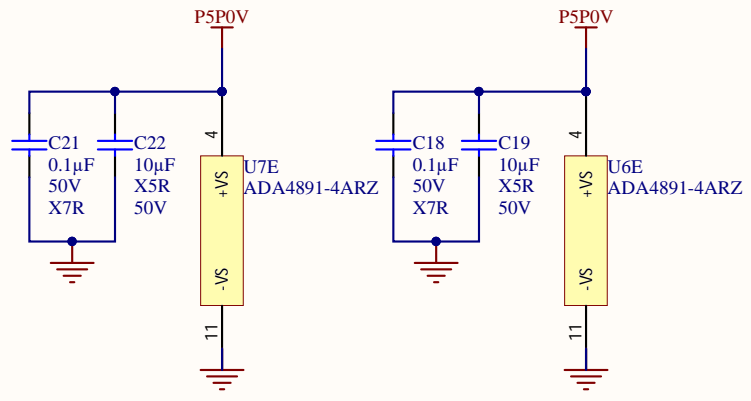


Title		
Size	Number	Revision
B		
Date:	10/18/2019	Sheet of
File:	C:\Users\... \HUB_CODEC.SchDoc	Drawn By:

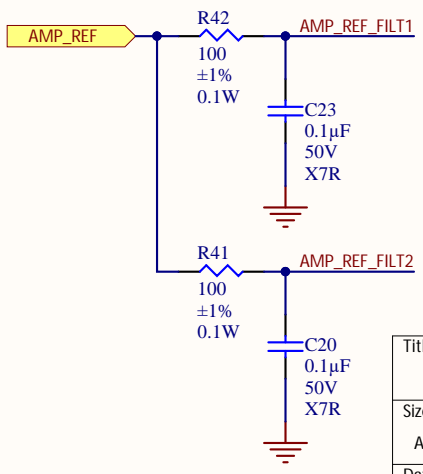
OUTPUT BUFFER NETWORK



POWER DELIVERY

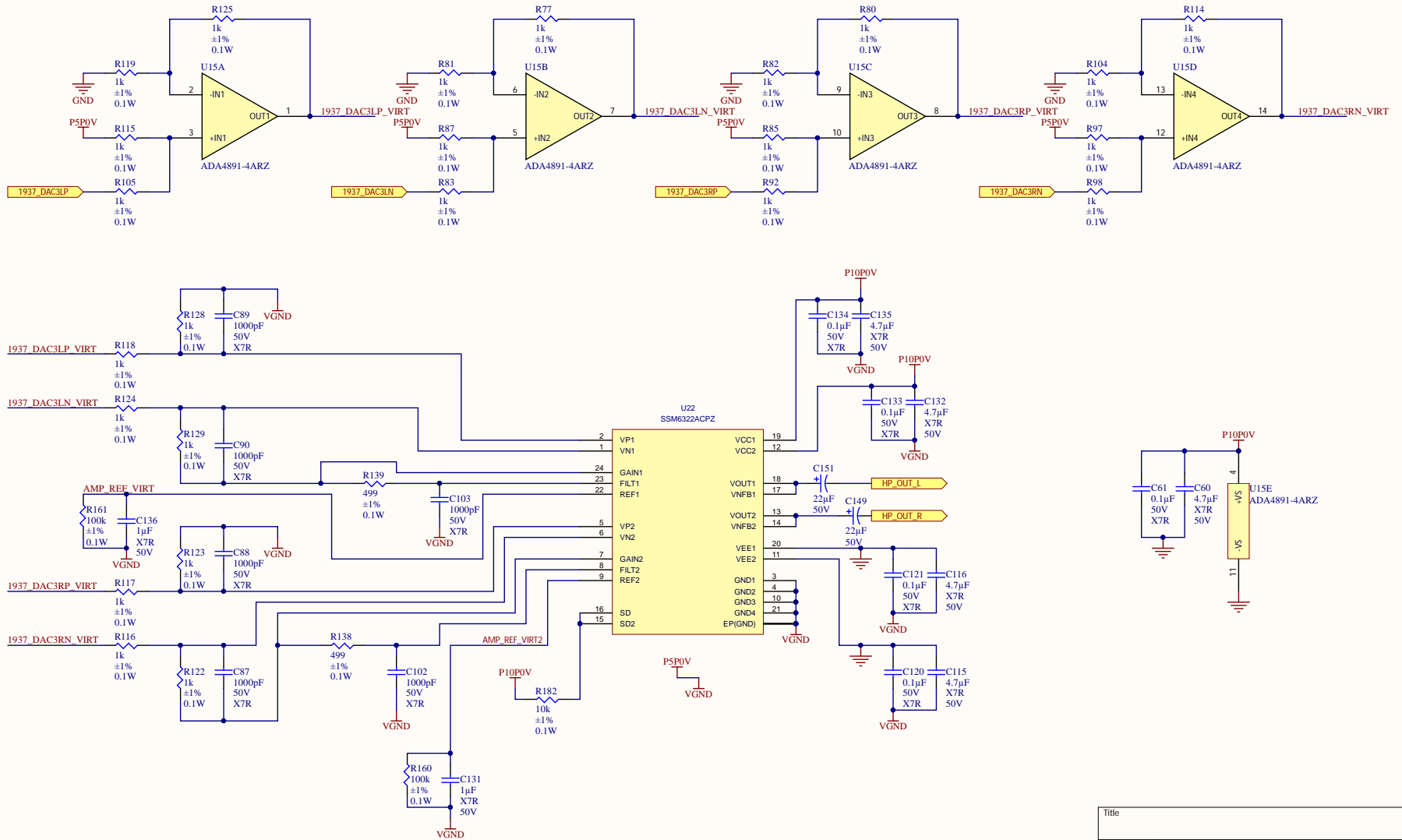


REFERENCE FILTERING



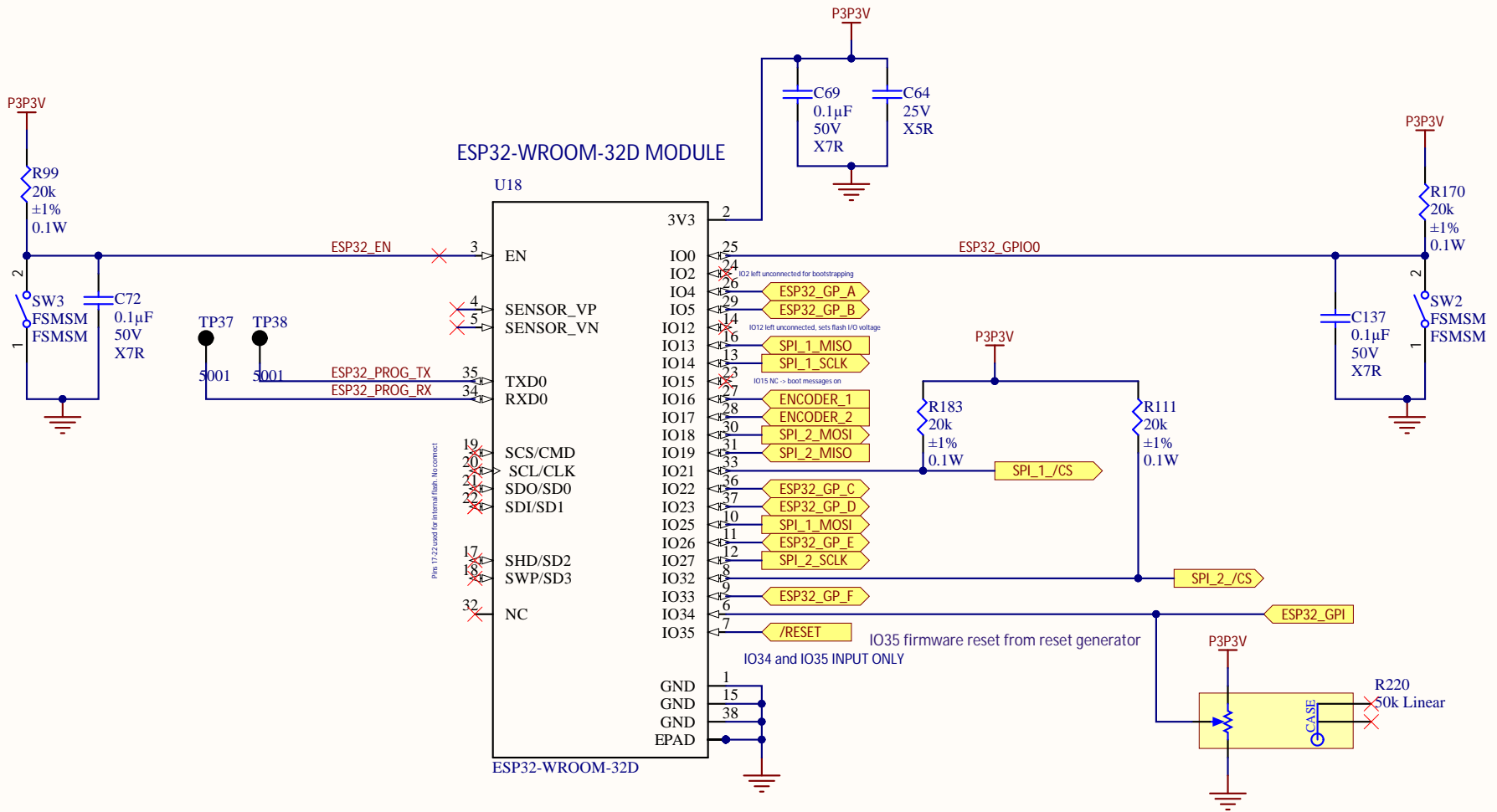
Title		
Size	Number	Revision
A		
Date:	10/18/2019	Sheet of
File:	C:\Users\...\HUB_LINE_OUTPUT.SchDoc	Drawn By:

HEADPHONE DRIVER



Title		
Size	Number	Revision
B		
Date:	10/18/2019	Sheet of
File:	C:\Users\... \HUB_HEADPHONE_DRIVE.SchDoc	Drawn By:

WIRELESS MODULE



Title		
Size	Number	Revision
A		
Date:	10/18/2019	Sheet of
File:	C:\Users\...\HUB_ESP32.SchDoc	Drawn By: